

PSI Prolew Inc.

975 Selkirk, Pointe-Claire
Québec, Canada H9R 4S4
Tél: (514) 697-7867
Fax: (514) 697-0057
www.psiprolew.com

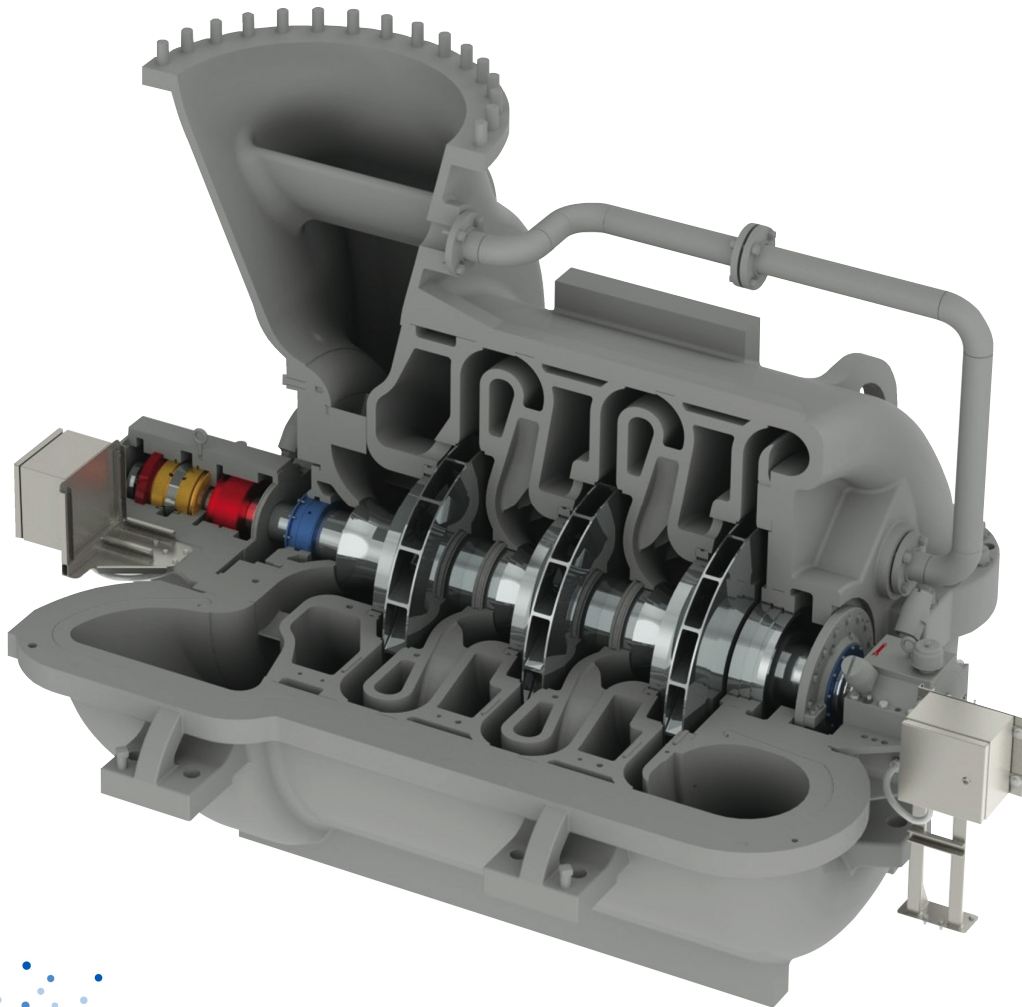


PSI Prolew Inc.

3750A Laird Road, Unit 1,
Mississauga, ON L5L 0A6
Tel: (905) 820-6330
Fax: (905) 820-6338
www.psiprolew.com



ROOTS® Centrifugal Compressors

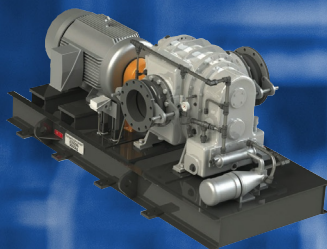


Setting the Standard Since 1854

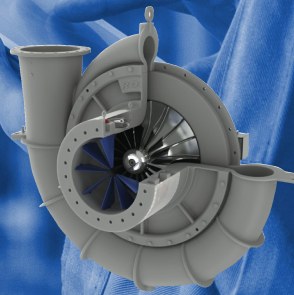
Founded in 1854 as the original pioneer of the rotary positive displacement, "ROOTS" type, blower. ROOTS® has been continuously manufacturing and developing our equipment and technologies since 1854.



Universal RAI™
Bi-lobe Blower



RGS-J Gas
Compressor



Centrifugal
Compressor



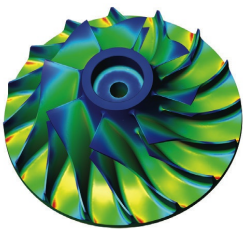
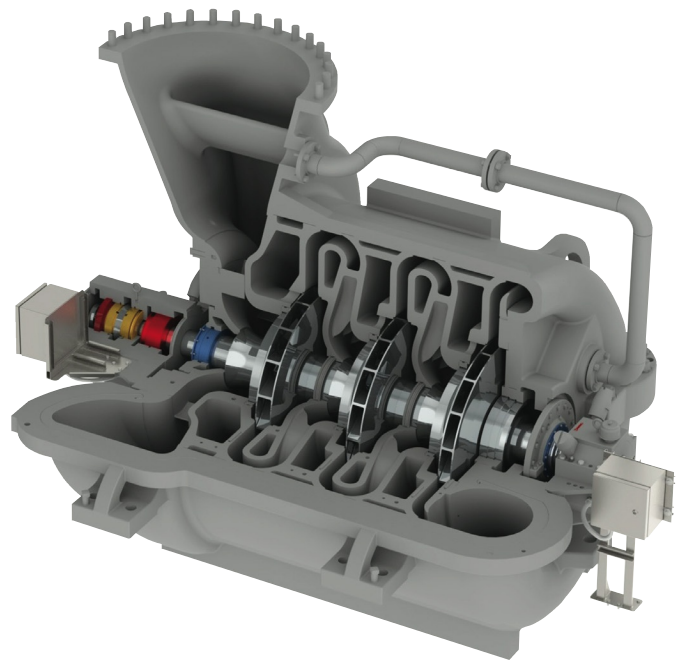
TRI-NADO™
Tri-lobe Exhauster

ROOTS® Centrifugal Compressors

ROOTS® is a global leader in the design and manufacture of air and gas handling solutions. ROOTS leverages its history of technical innovation to address key Environmental issues and to provide current best practices in manufacturing to delivery of its products to customers around the globe.

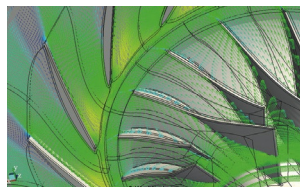
ROOTS® blowers, compressors, and controls are available in varying size ranges with a broad spectrum of performance and controllability and have been applied to multiple applications in a wide array of industries such as: pneumatic conveying, gas separation, wastewater treatment, steam recompression, petrochemical production, and many others.

Every product we deliver is backed by an unequivocal lifetime commitment to spare parts and product support. Replacement parts are made using the original production drawings, so that compatibility and quality are guaranteed. We also offer a full upgrade and enhancement program that allows customers to take advantage of new developments, or adapt existing equipment to changed conditions.



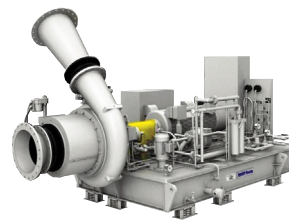
Reliability

Finite Element Analysis (FEA) and an extensive history in compressor design will help ensure that we provide our customers with a reliable solution that will last well into the future.



Performance

Computational Fluid Dynamics (CFD) helps ensure each compressor is optimized for performance and efficiency, helping to reduce your power requirements and the cost over the operating life of the compressor.



Function

Working hand-in-hand with your engineers, we can establish a design that can be adopted into your process. Solid (3D) Modeling aids in visualizing the compressor's layout and optimizing the footprint while proving fit and function.



Collaboration

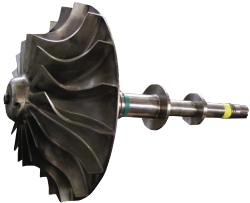
Our designers and application engineers will evaluate your given conditions and specifications to determine a solution that will perform and comply to your specific needs.

ROOTS Centrifugal Compressors Deliver High

Performance & Low Maintenance



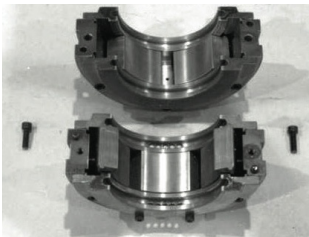
Multi-Stage Rotor Assembly



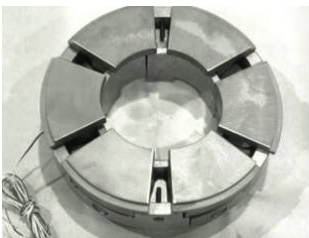
Open Wheeled Rotor Assembly



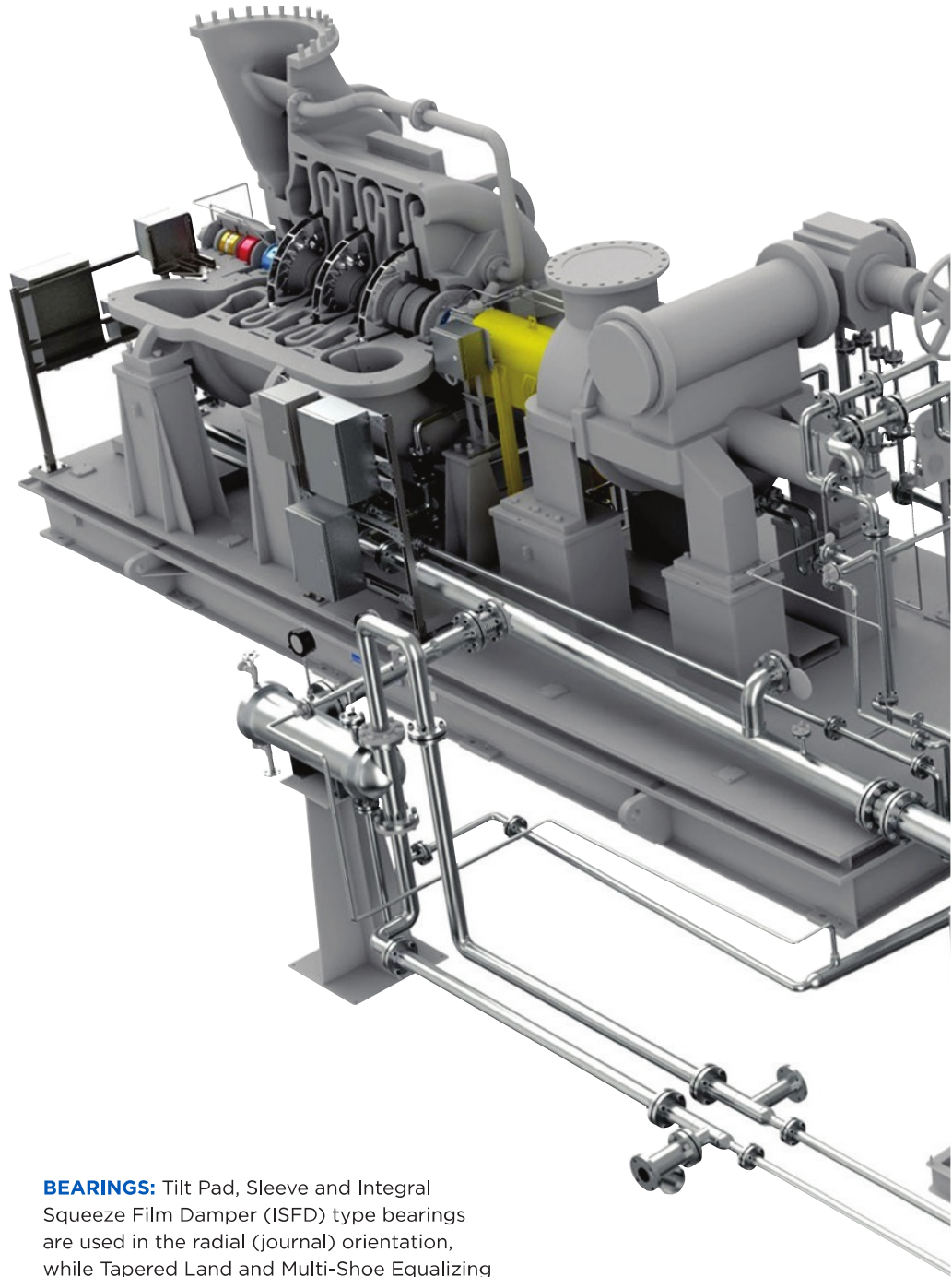
Closed Wheeled Rotor Assembly



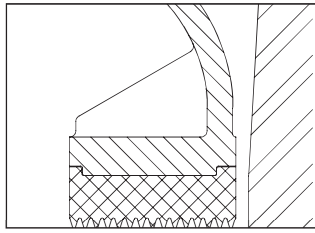
Radial - Tilt Pad Bearing



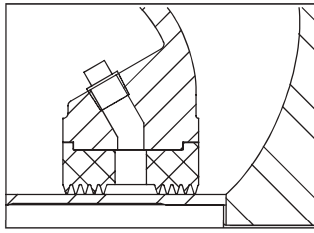
Axial - Multi-Shoe Equalizing Bearing



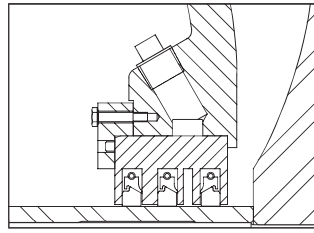
BEARINGS: Tilt Pad, Sleeve and Integral Squeeze Film Damper (ISFD) type bearings are used in the radial (journal) orientation, while Tapered Land and Multi-Shoe Equalizing are used in the axial thrust) orientation. Bearing type is selected dependent upon the compressor type.



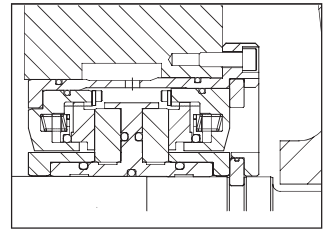
Standard Labyrinth



Buffered Labyrinth

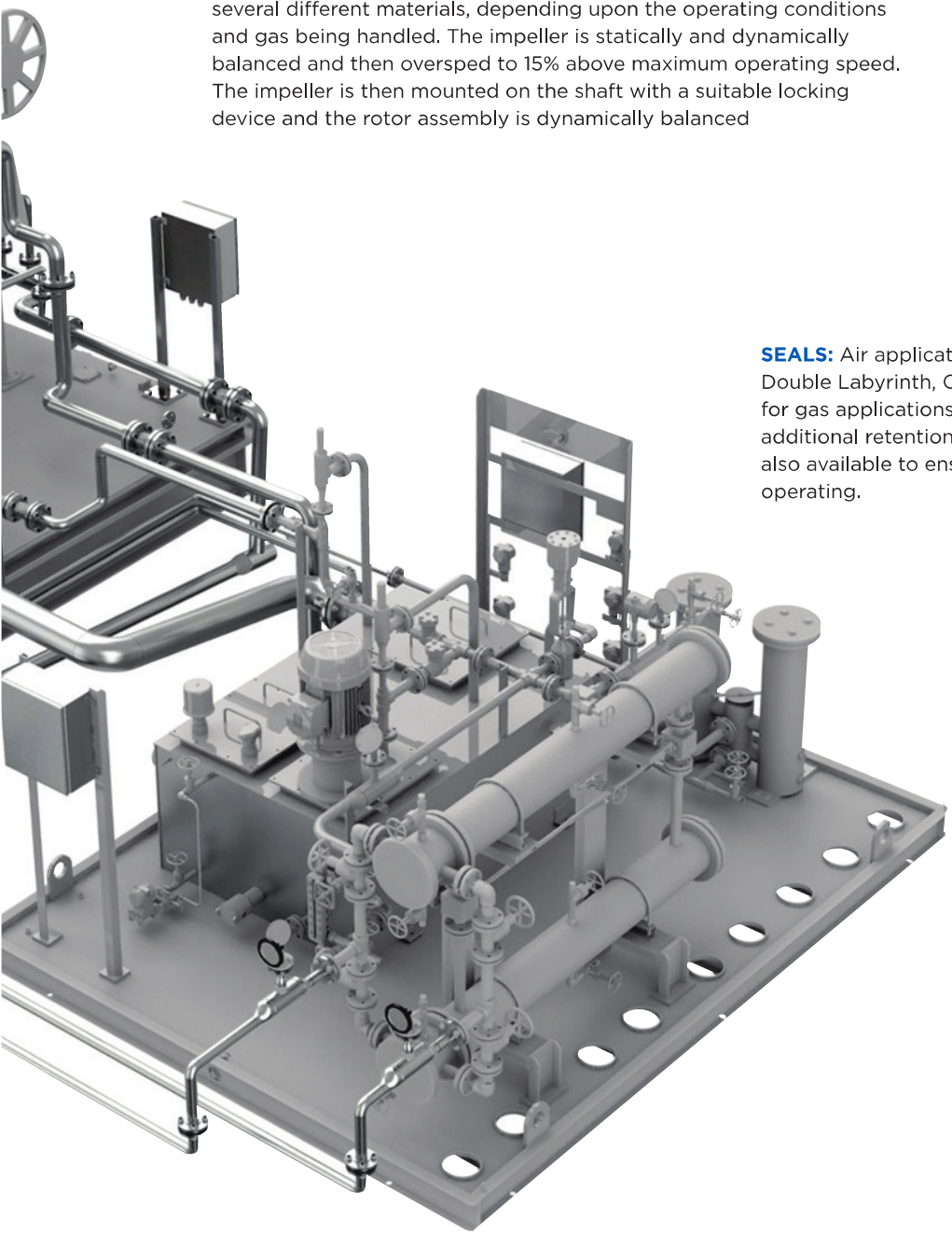


Buffered Carbon Ring



Double Opposed Dry Gas Seal w/ Buffer

IMPELLERS: Offered in many different designs and constructions of several different materials, depending upon the operating conditions and gas being handled. The impeller is statically and dynamically balanced and then oversped to 15% above maximum operating speed. The impeller is then mounted on the shaft with a suitable locking device and the rotor assembly is dynamically balanced

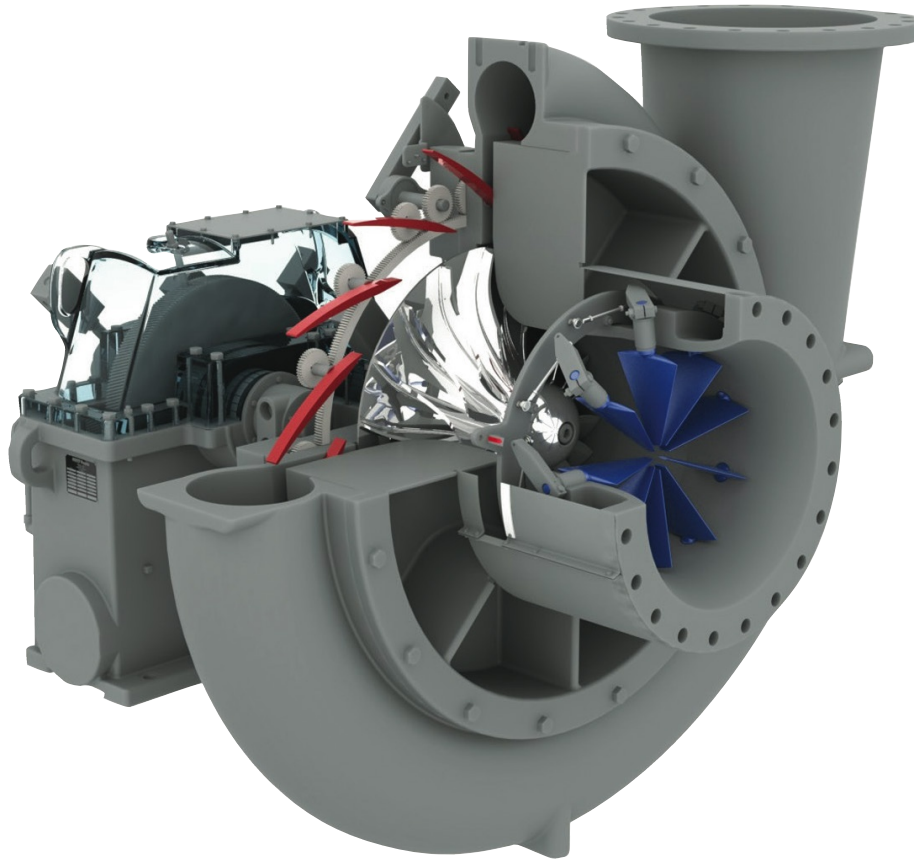


SEALS: Air applications use the Standard Labyrinth Seal, while Double Labyrinth, Carbon Ring and Dry Mechanical Seals are used for gas applications. Buffer and suction ports can be provided for additional retention of the process gas. Gas-tight shutoff sealing is also available to ensure gas retention when the compressor is not operating.

LUBE OIL SYSTEM: Lube system can be provided in three different configurations: integral, console mounted to the baseplate, and console mounted off the baseplate. Each system will consist of a main and auxiliary oil pump, oil cooler, oil filter, bypass valve for temperature control, oil reservoir (minimum 3 minute retention), and necessary safety switches and gauges.

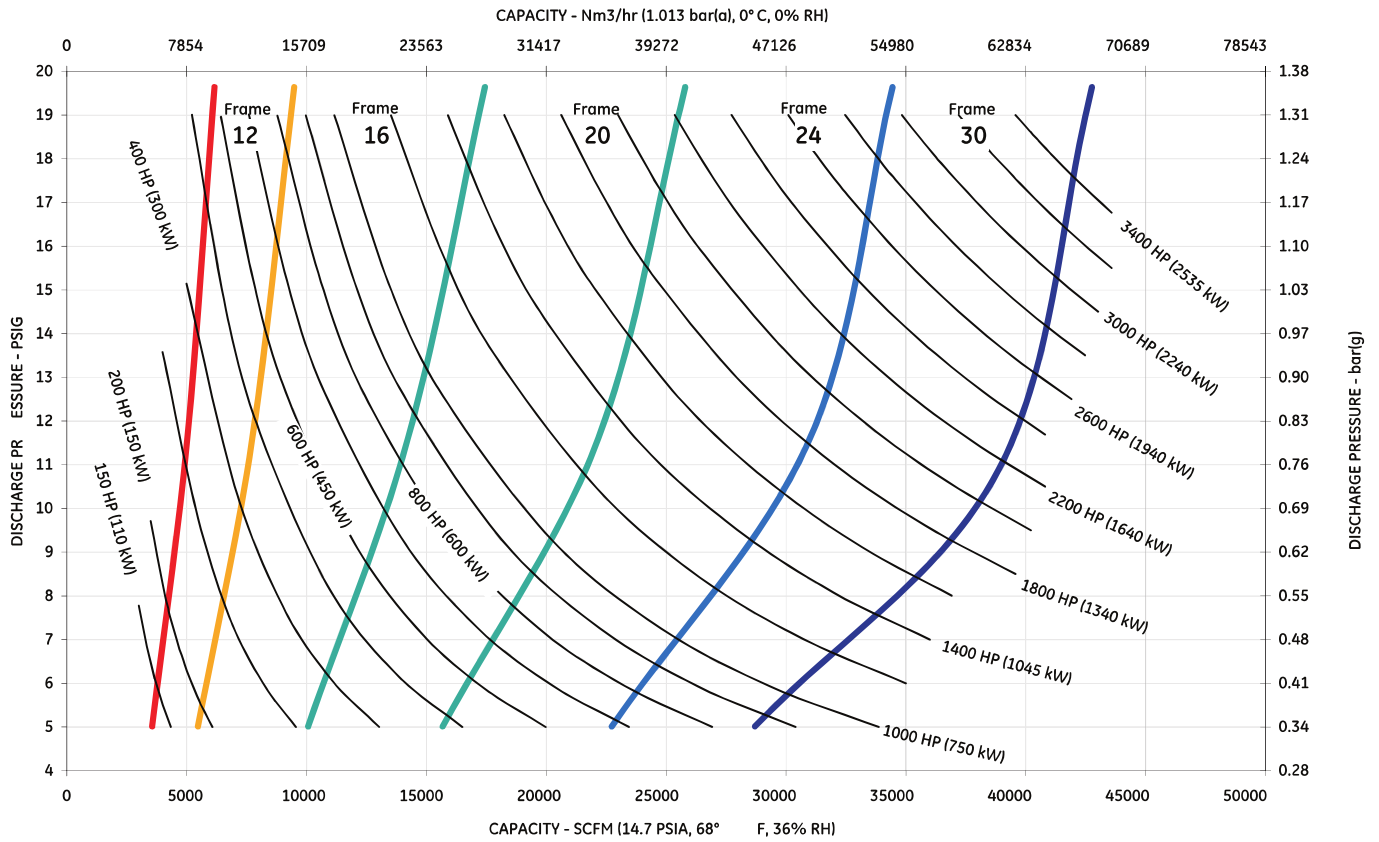
ROOTS® IGCH Compressor

Integrally Geared Dual Vane



Characteristic	Value
Flow, SCFM (Nm ³ /hr)	4,000 to 42,000 (6,280 to 65,980)
Polytropic Head ft*lb _f /lb _m (kJ/kg)	10,000 to 40,000 (29.9 to 119.5)
Casing Materials	Cast iron, ductile iron (special materials available upon request)
Impeller Materials	Carbon steel, stainless steel, titanium
Impeller Construction	Radial, semi-backward leaning and backward leaning blades (open or closed); Cast, welded, milled
Discharge Position	45° increments, starting at 0° (UP) position
Spec. Compliance	API 617, API 672
Seal Arrangement	Labyrinth, carbon ring, mechanical
Vanes	Variable or fixed diffusers with variable axial inlet guide or variable peripheral inlet guide
Bearing Type	Journals: tilt pad & sleeve; thrust: tapered land

ROOTS IGCH Compressor Performance Map



Gas Composition: Ambient Air
 Inlet Conditions: AIR, 14.5 PSIA, 100° F, 80% RH (1.00 bar(a), 38° C, 80% RH)
 Barometer: 14.7 PSIA (1.013 bar(a))



Variable Diffuser Vanes (VDV's) shown in minimum to maximum position. ROOTS control system will independently modulate both the IGV's and VDV's to optimize the performance point as process conditions vary.



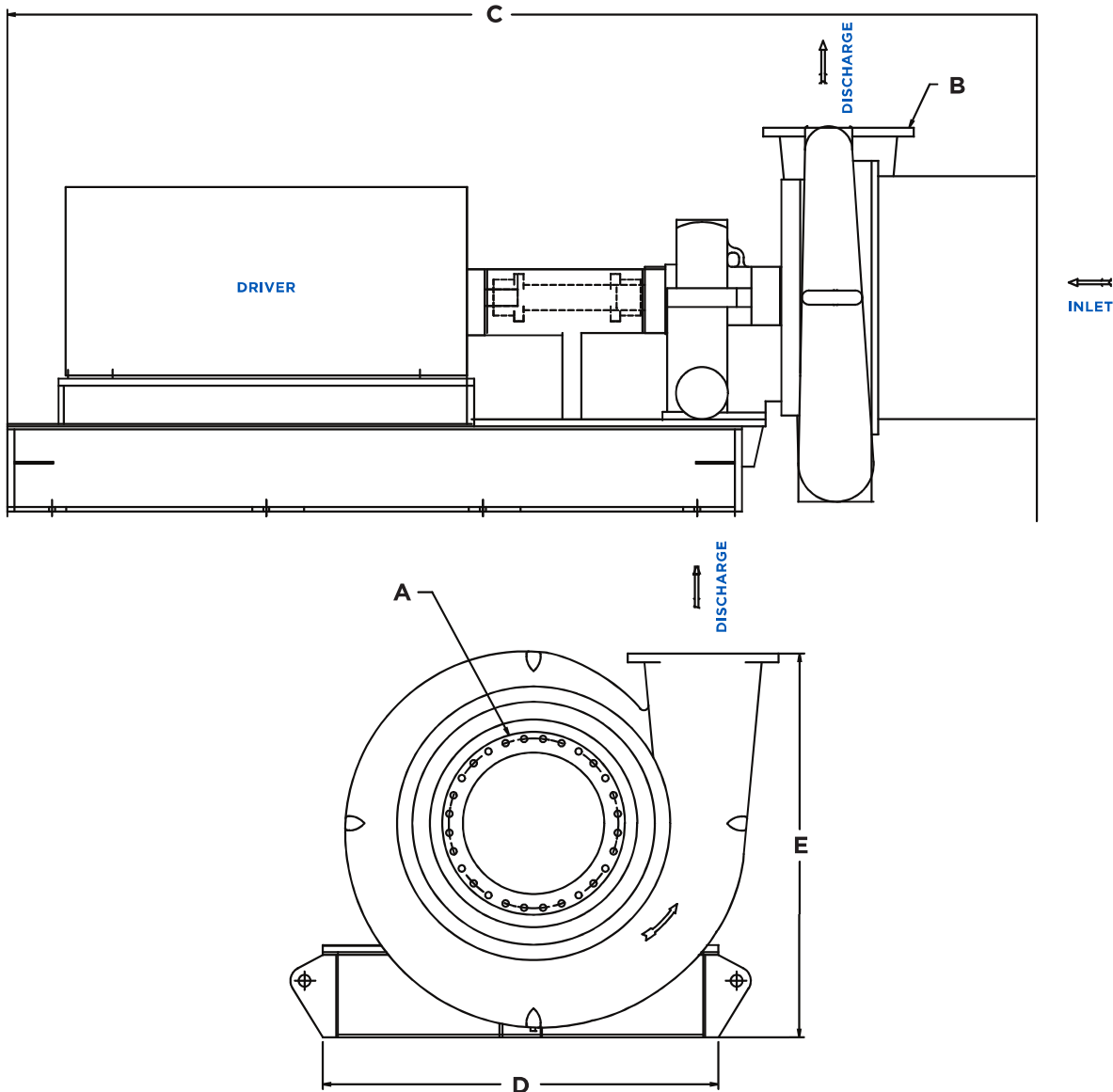
Name	Description
Compressor/Gear Box	<p>Assembly incorporating a centrifugal compressor (rotor assembly, inlet housing, volute, casing cover, and bearing stand) and a speed increasing gear box in one housing. The compressor design is capable of facilitating the use of both inlet guide vanes as well as diffuser vanes (variable or fixed) for optimal efficiency over a wide range of performance points. Capable of meeting API-672 and API-617.</p>
Driver	<p>Primary drive options are electric motors, with or without variable frequency drive, and steam turbines. In select instances internal combustion (IC) engines have been utilized.</p>
Lube Oil System	<p>The standard IGCH design lends itself to the use of an integral lube system; in which the lube oil reservoir is housed within the structure of the baseplate, with the lube oil components (pumps, valves, coolers, and filters) mounted on top of the reservoir with the compressor. If specified, the lube system can be a separate console shipped loose for installation near the compressor. Lube systems can be designed to meet API-614 Chapters 2 or 3, as well as API-672.</p>
Baseplate	<p>Boxed construction utilizing structural supports for bracing and rigidity. Grouting pockets, anchor bolt holes and leveling screws are incorporated into the design to provide additional stability and rigidity during operation. Lifting lugs are incorporated into the design for ease in transportation of the equipment from the factory to the job site. Compressors can additionally be supplied with a drip lip and/or non-skid decking.</p>
Controls	<p>Provide conditional monitoring for the compressor, driver and lube oil system. Additionally, the local control panel (baseplate or off mounted) houses the intelligence for positioning inlet guide vanes and variable discharge diffuser vanes. The local instrumentation and panel provide real-time, local data through gauges, switches, or transmitters.</p>

ROOTS IGCH Compressor Dimension Table

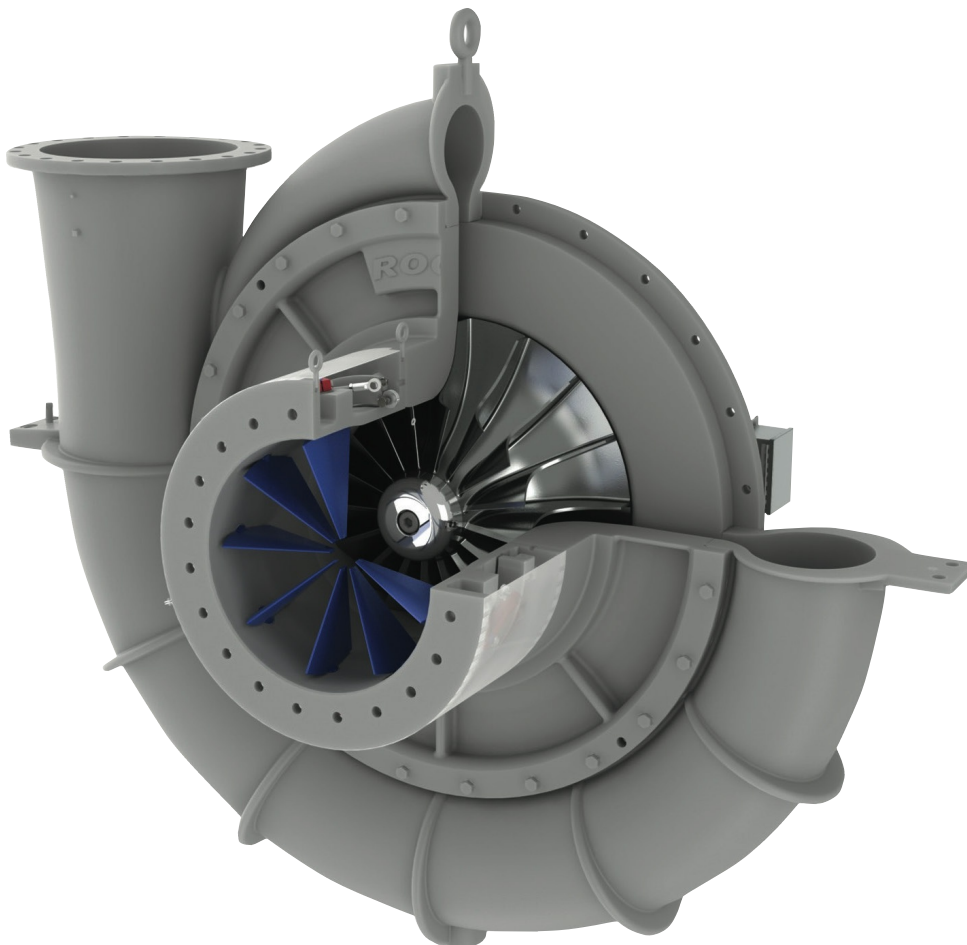
Unit Size	A* inches (mm)		B* inches (mm)	C inches (mm)	D inches (mm)	E inches (mm)	Weight lbs (kgs)
	MIGV'S**	MPGV'S**					
12" IGCH	12 (300)	N/A	12 (300)	170 (4300)	84 (2130)	65 (1650)	20,000 (9,070)
16" IGCH	16 (400)	20 (500)	16 (400)	185 (4700)	84 (2130)	70 (1780)	26,000 (11,800)
20" IGCH	20 (500)	24 (600)	20 (500)	200 (5080)	84 (2130)	73 (1850)	33,500 (15,200)
24" IGCH	24 (600)	30 (750)	24 (600)	220 (5600)	84 (2130)	84 (2130)	42,000 (19,050)
30" IGCH	30 (750)	36 (900)	30 (750)	230 (5840)	108 (2740)	95 (2410)	54,000 (24,500)

*Flanges are rated at 25# (Typ.) and drilled per ANSI B16.5 & B16.47A.

** MIGV'S - Movable Inlet Guide Vanes; MPGV's - Movable Peripheral Inlet Guide Vanes.

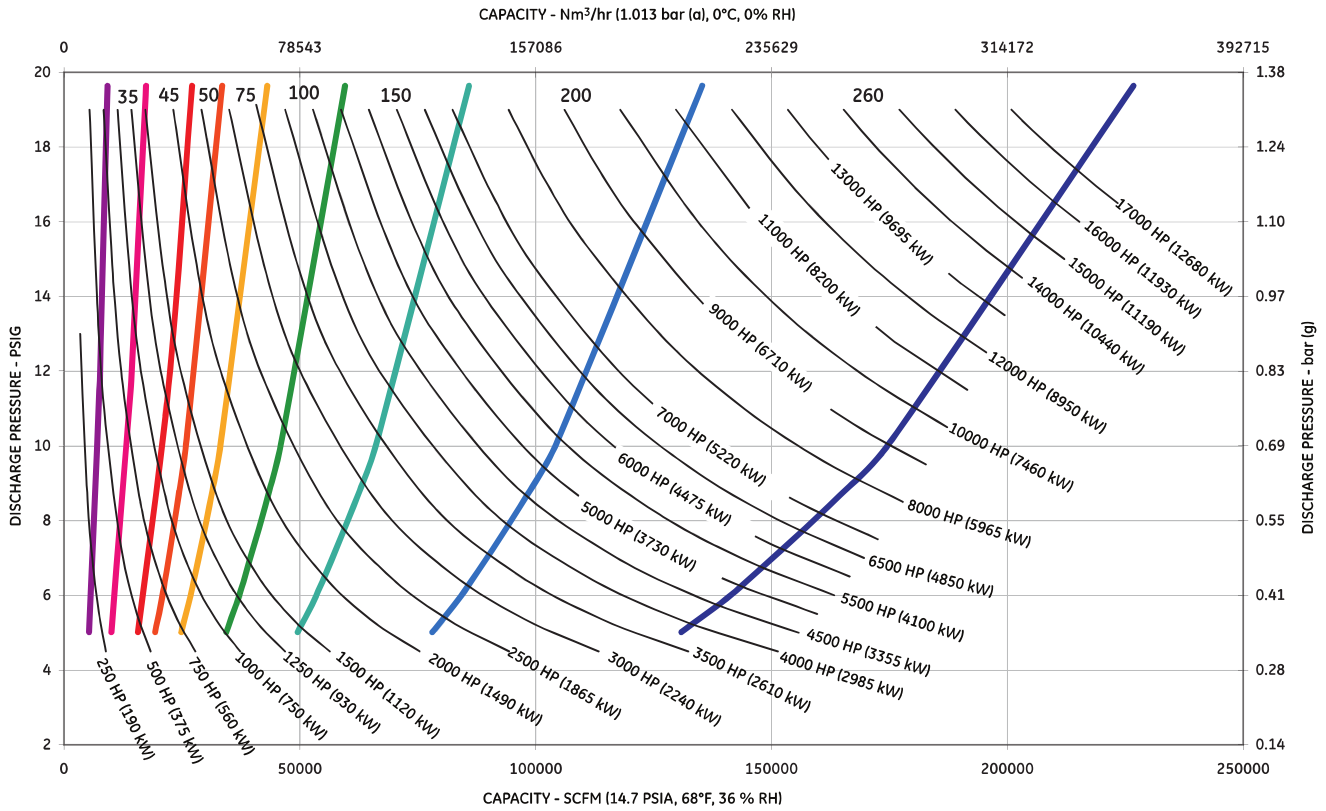


ROOTS® OIB Compressor

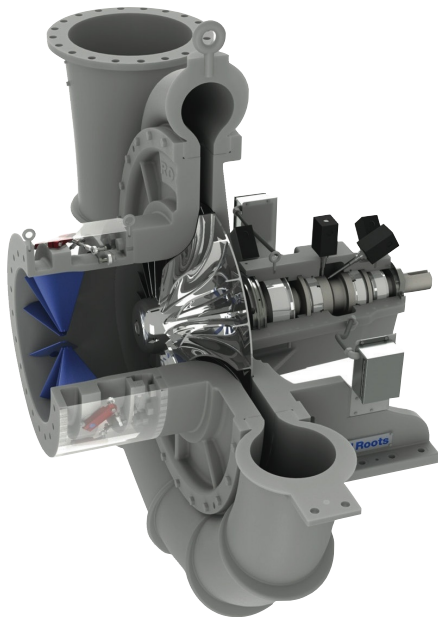


Characteristic	Value
Flow, SCFM (Nm ³ /hr)	5,000 to 225,000 (7,850 to 353,440)
Polytropic Head ft*lb _f /lb _m (kJ/kg)	10,000 to 40,000 (29.9 to 119.5)
Casing Materials	Cast iron, ductile iron (special materials available upon request)
Impeller Materials	Carbon steel, stainless steel, titanium
Impeller Construction	Radial, semi-backward leaning and backward leaning blades (open or closed); cast, welded, milled
Discharge Position	45° increments, starting at 0° (UP) position
Spec. Compliance	API 617
Seal Arrangement	Labyrinth, carbon ring, mechanical
Variable Vanes	Variable axial inlet guide or variable peripheral inlet guide
Bearing Type	Journal: tilt pad; thrust: multi-shoe equalizing

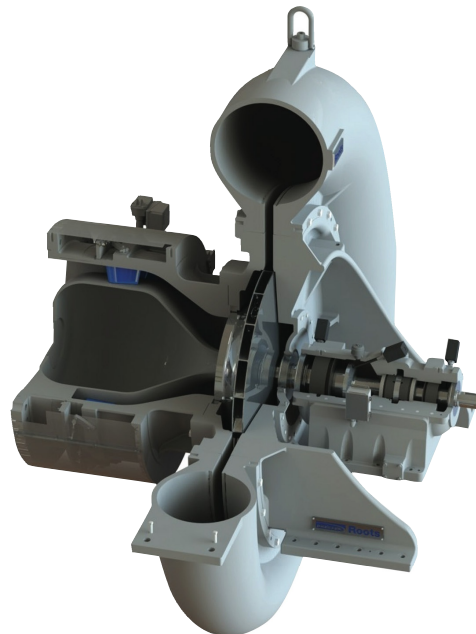
ROOTS OIB Compressor Map



Gas Composition: Ambient Air
 Inlet Conditions: AIR, 14.5 PSIA, 100° F, 80% RH (1.00 bar(a), 38°C, 80% RH)
 Barometer: 14.7 PSIA (1.013 bar(a))



OIB Compressor with variable inlet guide vanes and open impeller



OIB Compressor with variable peripheral inlet guide vanes and closed impeller



Name	Description
Compressor	Overhung style centrifugal compressor consisting of a rotor assembly, inlet housing, volute, casing cover, and bearing stand. Optional inlet guide vanes allow for process control in the absence of a variable speed drive or inlet throttling valve. Capable of meeting API-617.
Gear Box	Speed increasing gear box designed to increase the driver input speed up to the rated compressor speed. The low speed shaft can incorporate the main oil pump of the lube system, when required. Compressor may also be supplied without gear box if driver can meet the rated compressor speed and power. Capable of meeting API-613.
Driver	Primary drive options are electric motors, with or without variable frequency drive, and steam turbines. In select instances internal combustion (IC) engines have been utilized.
Lube Oil System	There are three main options for the compressor lube system. First, an integral lube system; in which the lube oil reservoir is housed within the structure of the baseplate, with the lube oil components (pumps, valves, coolers, and filters) mounted on top of the reservoir with the compressor. Second, a console lube system, with separate reservoir, mounted to the baseplate frame. Lastly, the lube system can be a separate console shipped loose for installation near the compressor. Lube systems can be designed to meet API-614 Chapters 2 or 3.
Baseplate	Boxed construction utilizing structural supports for bracing and rigidity. Grouting pockets, anchor bolt holes and leveling screws are incorporated into the design to provide additional stability and rigidity during operation. Lifting lugs are incorporated into the design for ease in transportation of the equipment from the factory to the job site. Compressors can additionally be supplied with a drip lip and/or non-skid decking.
Controls	Provide conditional monitoring for the compressor, driver and lube oil system. Additionally, the local control panel (baseplate or off mounted) houses the intelligence for positioning inlet guide vanes. The local instrumentation and panel provide real-time, local data through gauges, switches, or transmitters.

ROOTS OIB Compressor Dimension Table

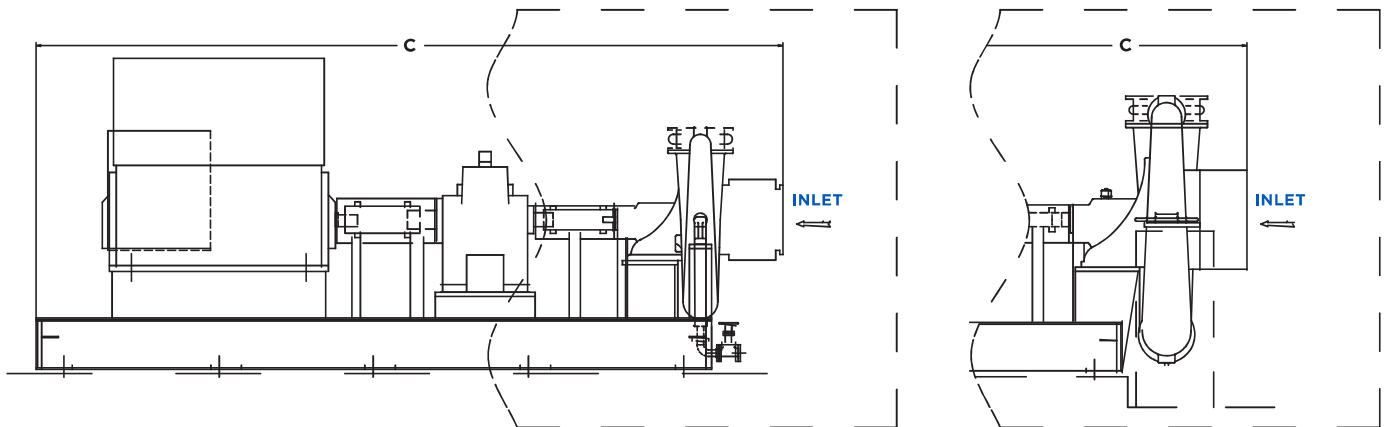
Unit Size	A* inches (mm)		B* inches (mm)	C inches (mm)	D inches (mm)	E inches (mm)	Weight lbs (kgs)
	W/ IGV'S**	W/O IGV'S					
OIB-35	16 (400)	16 (400)	16 (400)	200 (5080)	72 (1830)	78 (1980)	30,000 (13,600)
OIB-45	20 (500)	20 (500)	20 (500)	210 (5330)	84 (2130)	78 (1980)	40,000 (18,150)
OIB-50	18 (450)	20 (500)	16 (400)	220 (5600)	96 (2440)	78 (1980)	40,000 (18,150)
OIB-75	24 (600)	22 (550)	18 (450)	220 (5600)	114 (2900)	81 (2060)	42,000 (19,050)
OIB-100	24 (600)	24 (600)	22 (550)	250 (6350)	90 (2290)	85 (2160)	45,000 (20,400)
OIB-150	39 (900)	36 (900)	30 (750)	290 (7360)	96 (2440)	110 (2790)	70,000 (31,750)
OIB-200	36 (900)	36 (900)	30 (750)	300 (7620)	108 (2740)	96 (2440)	95,000 (43,100)
OIB-260	50 (1270)	50 (1270)	42 (1070)	350 (8890)	120 (3050)	107 (2720)	125,000 (56,700)

* Flanges are rated at 25# (Typ.) and drilled per ANSI B16.5 & B16.47A

** IGV'S - Inlet Guide Vanes

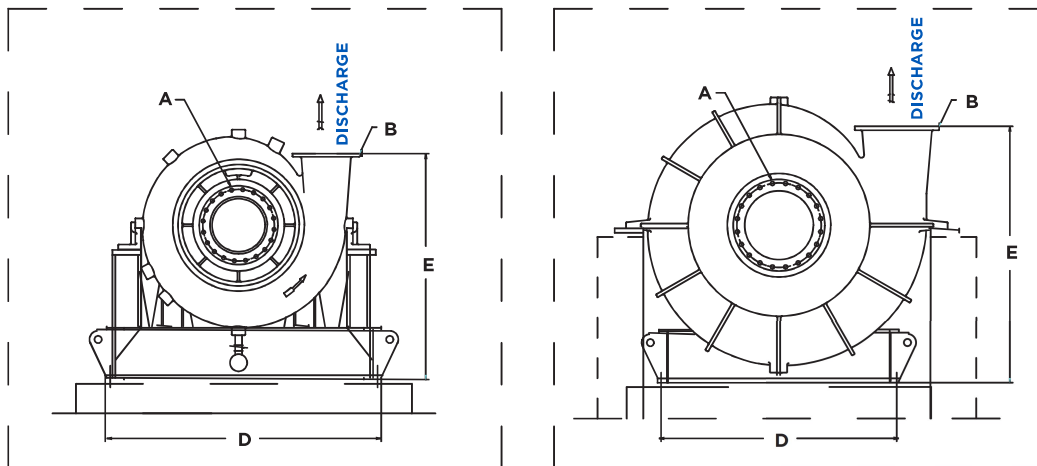
MODELS OIB-35 TO OIB-75

MODELS OIB-100 & ABOVE



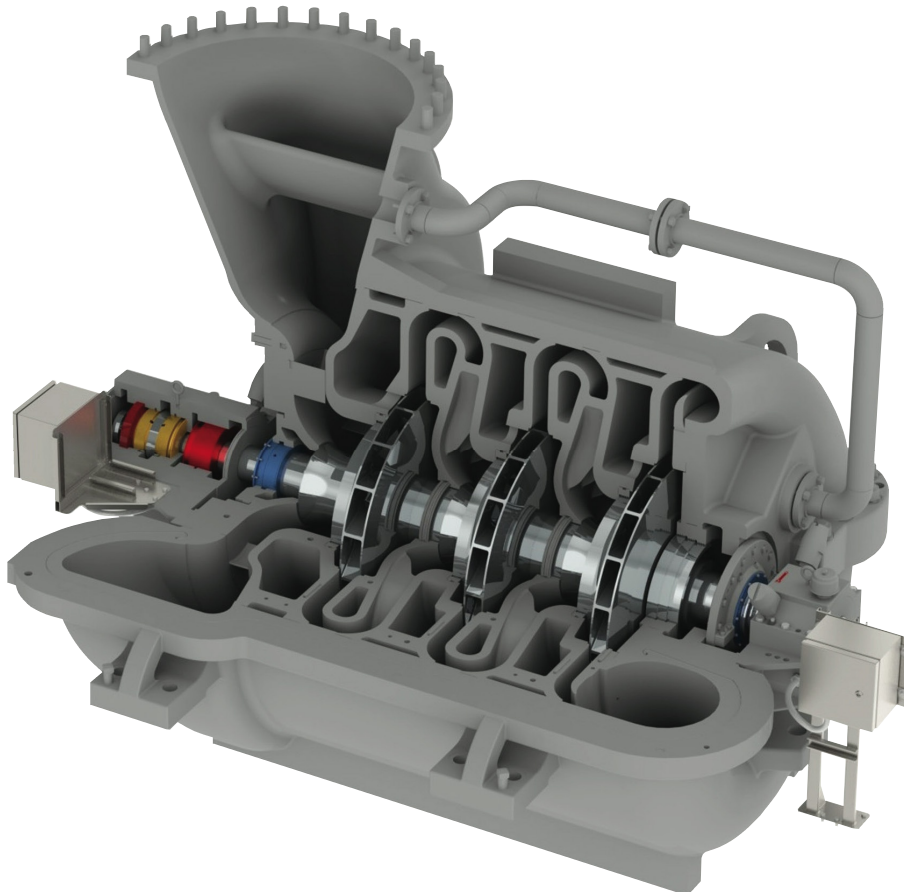
MODELS OIB-35 TO OIB-75

MODELS OIB-100 & ABOVE



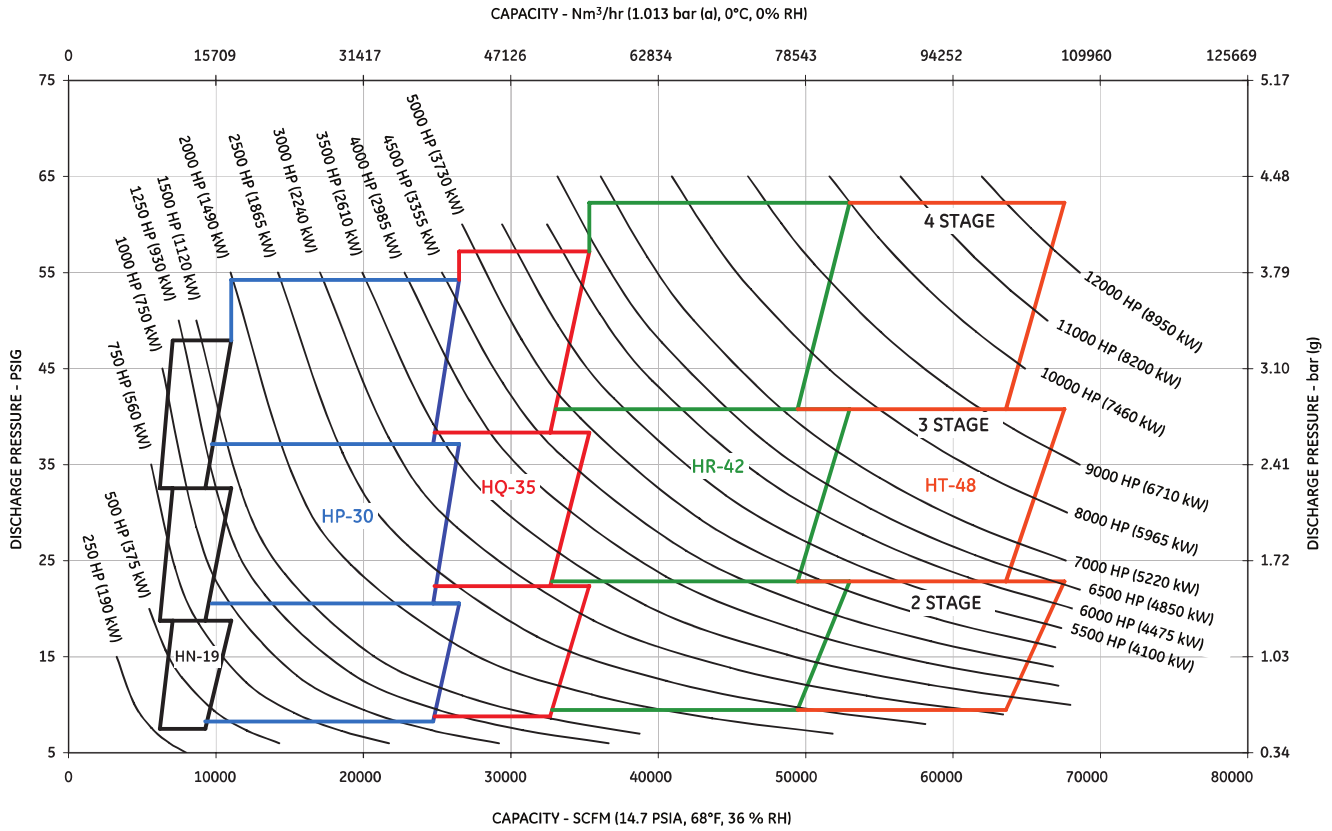
ROOTS® Type H

Horizontally-Split Multi-Stage Compressor

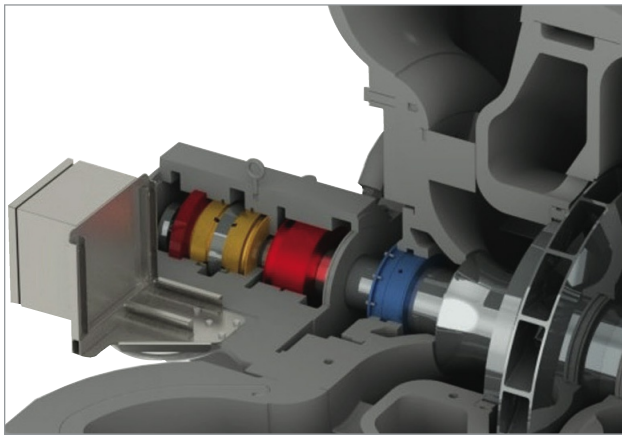


Characteristic	Value
Flow, SCFM (Nm ³ /hr)	6,000 to 67,000 (9,430 to 105,250)
Polytropic Head ft*lbf/lbm (kJ/kg)	14,000 to 65,000 (41.8 to 194.3)
Casing Materials	Cast iron, ductile iron (special materials available upon request)
Impeller Materials	Carbon steel, stainless steel
Impeller Construction	Semi-backward leaning and backward leaning blades (closed); welded or milled & welded
Spec. Compliance	API 617
Seal Arrangement	Labyrinth, carbon ring, mechanical
Vanes	Variable or fixed inlet guide vanes
Bearing Type	Journal: tilt pad; thrust: multi-shoe equalizing
Compressor Stages	2, 3, 4 (specialty staging available)

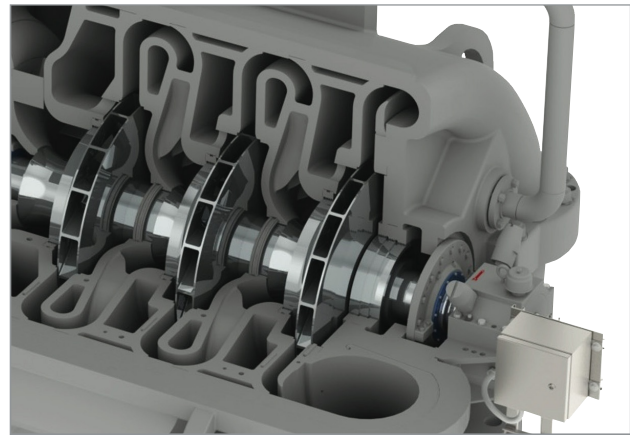
ROOTS H-Multi Stage Compressor Map



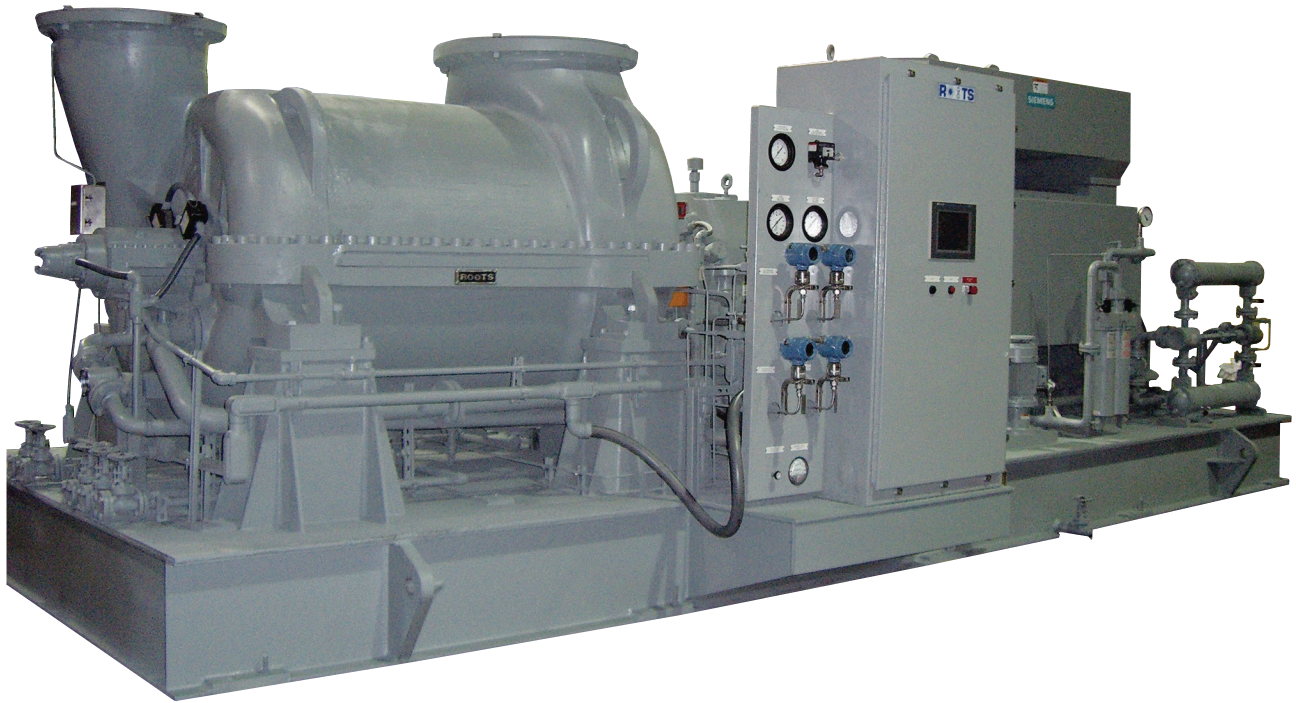
Gas Composition: Ambient Air
 Inlet Conditions: AIR, 14.5 PSIA, 100° F, 80% RH (1.00 bar(a), 38°C, 80% RH)
 Barometer: 14.7 PSIA (1.013 bar(a))



H Multi-Stage bearing and seal housing



H Multi-Stage casing with inter-stage diaphragms and rotor assembly



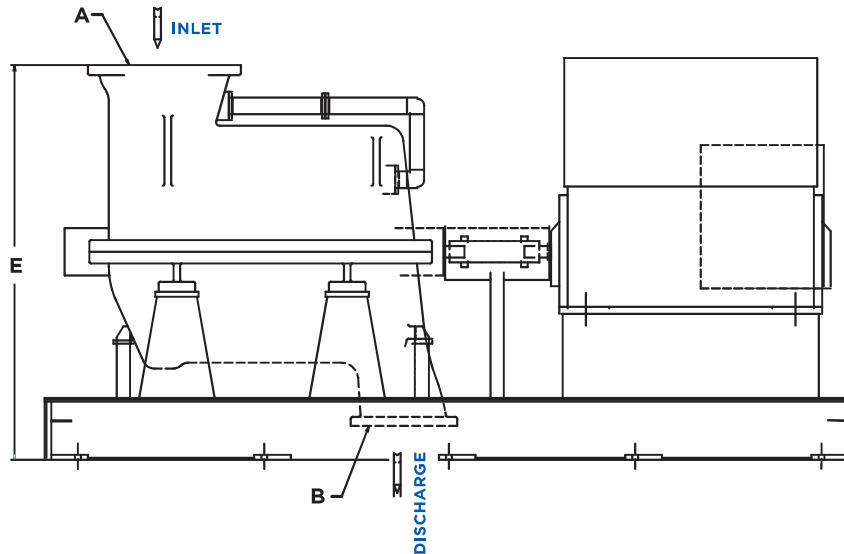
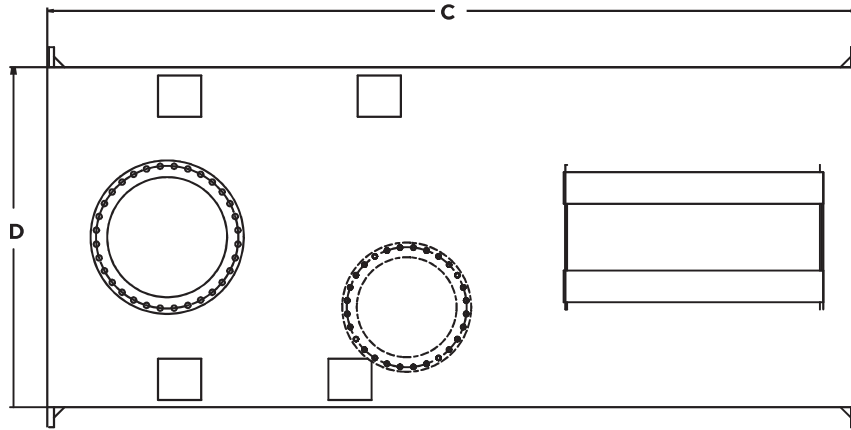
Name	Description
Compressor	Horizontally split centrifugal compressor consisting of top and bottom casing halves, rotor assembly, inter-stage diaphragms, seals, and bearing stands. Inlet section is capable of housing fixed or variable guide vanes for flow conditioning/ process control. Adaptable for up or down inlet and discharge connection orientations. Capable of meeting API-617.
Driver	Primary drive options are electric motors, with or without variable frequency drive, and steam turbines. In select instances internal combustion (IC) engines have been utilized. A separate speed increasing gear box can be included if needed for performance.
Lube Oil System	There are three main options for the compressor lube system. First, an integral lube system; in which the lube oil reservoir is housed within the structure of the baseplate, with the lube oil components (pumps, valves, coolers, and filters) mounted on top of the reservoir with the compressor. Second, a console lube system, with separate reservoir, mounted to the baseplate frame. Lastly, the lube system can be a separate console shipped loose for installation near the compressor. Lube systems can be designed to meet API-614 Chapters 2 or 3.
Baseplate	Boxed construction utilizing structural supports for bracing and rigidity. Grouting pockets, anchor bolt holes and leveling screws are incorporated into the design to provide additional stability and rigidity during operation. Lifting lugs are incorporated into the design for ease in transportation of the equipment from the factory to the job site. Compressors can additionally be supplied with a drip lip and/or non-skid decking.
Controls	Provide conditional monitoring for the compressor, driver and lube oil system. Additionally, the local control panel (baseplate or off mounted) houses the intelligence for positioning inlet guide vanes. The local instrumentation and panel provide real-time, local data through gauges, switches, or transmitters.

ROOTS Type H Multi-Stage Dimensional Table

Unit Size	A* inches (mm)	B* inches (mm)	C** inches (mm)	D inches (mm)	E inches (mm)	Weight lbs (kgs)
HN	18 (450)	14 (350)	192 (4880)	72 (1830)	78 (1980)	35,000 (15,875)
HP	30 (750)	24 (600)	220 (5600)	102 (2590)	98 (2490)	71,500 (32,430)
HQ	36 (900)	24 (600)	240 (6100)	108 (2740)	120 (3050)	78,000 (35,380)
HR	42 (1050)	24 (600)	250 (6350)	120 (3050)	132 (3350)	92,000 (41,730)
HT	48 (1200)	36 (900)	260 (6600)	138 (3500)	150 (3810)	130,000 (58,970)

*Flanges are rated at 25# (Typ.) and drilled per ANSI B16.5 & B16.47A

**Total length is subject to change based on number of stages or the need for a gear box NOTE: Inlet and Discharge of Compressor may be oriented in either the top or bottom direction, or any combination of the two. NOTE: Compressor may be driven through Inlet or Discharge End.



Control Solutions

Specific to Your Application

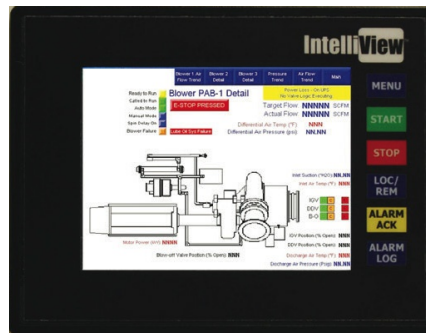
Every ROOTS centrifugal compressor is designed to meet specific application requirements. To accomplish this we design control solutions to monitor the health of the compressor and its operation. We accomplish this with sophisticated instrumentation and high tech controls that provide conditional monitoring for such diverse systems as the compressor, lube oil systems, and an array of drive options. In addition to these primary device controls, we provide the intelligence for positioning inlet guide vanes and variable discharge diffuser vanes for optimal application performance.

Instrumentation and Control

- Inlet guide vane and variable diffuser vane control
- Compressor conditional monitoring:
 - » Vibration/displacement
 - » Temperature
 - » Pressure
 - » Speed
- Active compressor surge control system, ensuring continual operation of your compressor.
- Application specific control algorithms
- Digital and/or analog compressor instrumentation panel
- NEMA 4, 4X and 12 electrical enclosure options

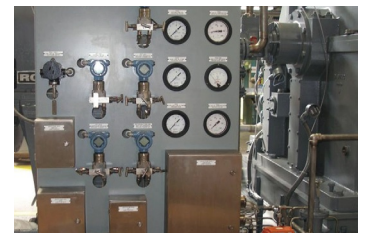
Technology Options

- IntelliView® process controller
- PLC's supported:
 - » ABB
 - » Allen Bradley/Rockwell Automation Co., Inc.
 - » Siemens AG
 - » Other major manufacturers
- Optional monitoring systems:
 - » Bently Nevada
 - » Compressor Controls Corporation (CCC)
 - » IRD
 - » Other major manufacturers



ROOTS Wastewater Controls

- Save 25% to 40% of your energy costs, as compared to manual control
- Reduce consumption and demand charges
- Assistance in obtaining utility rebates
- Most open valve control to minimize system pressure
- Coordinate aeration demand and blower supply air flows



Manufacturing Expertise

The manufacturing methods and procedures at our 200,000 sq. ft. facility rely collectively on our highly skilled individuals and versatile machining.

Manufacturing Processes Includes:

- 5 - Axis CNC Milling
- 3 - Axis CNC Milling
- CNC Lathe Turning & Grinding
- Welding
- Pipe Fitting
- Balancing & Overspeed Test (Impellers)

Testing, Testing, Testing

Our compressor components and assemblies are thoroughly tested to verify that material functionality and properties are compliant to our design and your specification.

- Tests include:
- Hydrostatic pressure (casing)
- Blade frequency (impeller)
- Overspeed (impeller)
- Mechanical run (compressor)
- Performance test, per ASME PTC-10
- Test points specified by customer

Test reports are provided to the customer upon completion of compressor testing.

All compressors are fully tested to meet customer requirements. Our 5,000 HP (3,725 kW) variable speed drive train, indoor testing beds and data acquisition software are utilized to test your compressor under full load conditions. For compressors with higher power ratings, tests can be preformed using the customer/ job motor or testing the compressor as an exhaustor to verify performance.



Service and Repair Warranties

- One year parts and workmanship including competitor's parts
- ISO-9001 and ISO-14000 Certified- Houston, TX, & Connersville, IN

Superior Field Services

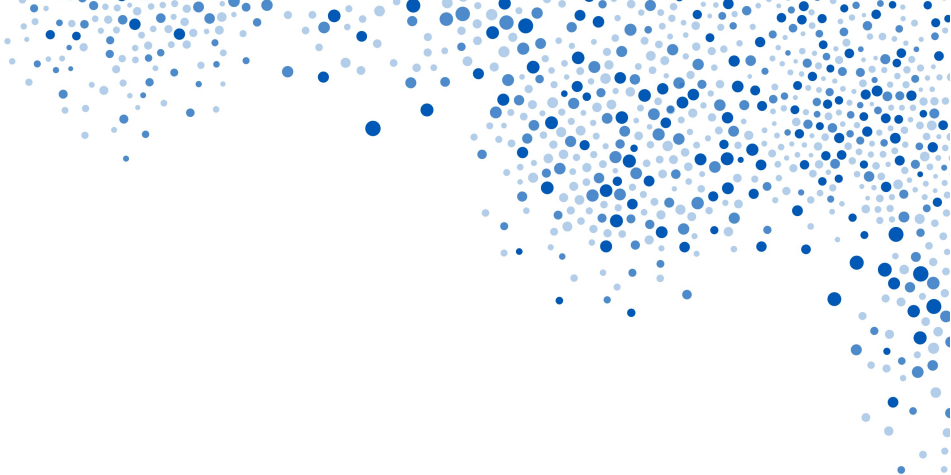
- Full job-site troubleshooting services and capabilities
- Vibration & noise analysis
- Alignment (all major components)
- Job-site repair and replacement
 - » Bearings
 - » Seals
 - » Rotating assemblies
 - » Couplings
- 24 to 48-hour emergency services response for most areas

Global Aftermarket Coverage

ROOTS maintenance and repair services provide professional methods and procedures that restore proper functionality and performance to each repaired unit. Access to ROOTS factory repair and service is available around the world. Service for small rotary blowers is available through our network of authorized distributor repair centers. All authorized repair centers use authentic ROOTS parts to assure warranty compliance.

Experience

We have extensive experience in the repair and maintenance of many/most brands of vacuum blowers and exhaustors, blowers, and centrifugal compressors. We can repair or remanufacture all of your equipment to original or higher specifications.



900 W. Mount St. Connersville

Indiana, 47331, USA

©2023 ROOTS Blowers LLC. All rights reserved.

 Please recycle after use.

PSI Prolew Inc.

975 Selkirk, Pointe-Claire
Québec, Canada H9R 4S4
Tél: (514) 697-7867
Fax: (514) 697-0057
www.psiprolew.com



PSI Prolew Inc.

3750A Laird Road, Unit 1,
Mississauga, ON L5L 0A6
Tel: (905) 820-6330
Fax: (905) 820-6338
www.psiprolew.com

www.RootsBlower.com

RT-CF-FAM_12-23